

# Rice Weight Measuring Machine ESK-BLB

**Soften rice serving without rice damaging even cold rice.  
High accuracy of rice weight measuring technology  
by beltless transferring.**



- **High Productivity (2,000 dishes/hr)**
- **Easy Operation by large LCD touch panel**
- **Compact Design by one unit with rice lifter**
- **Fluffy Rice Condition**
- **2 Steps Measuring Method**

## 1st Step



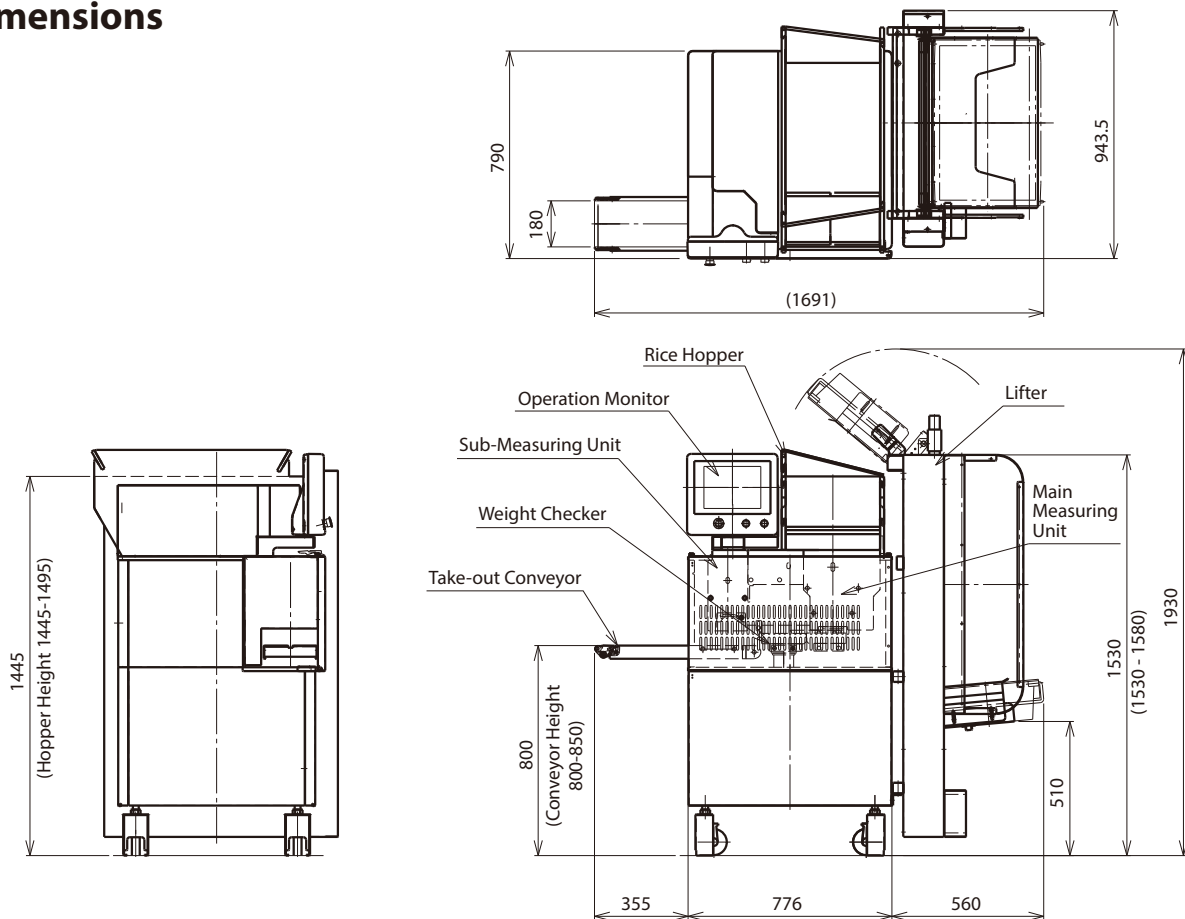
Serving of 80-90% setting weight by measuring roller unit and measuring actual weight by weight checker.

## 2nd Step



Adding shortage volume of rice for the gap weight by sub-measuring roller unit.

## Dimensions



## Specifications

### Capacity

- \* 2,000 dishes per hour (Max.) under 150-250g setting
- \* 1,800 dishes per hour (Max.) under 251-300g setting

### Dimension

- 1,691W x 943.5D x 1,930H mm
- \* In case hopper turning : 1,980H mm

### Power

3-phase, AC200V (50/60Hz)

### Electric Consumption

1.5kW

### Hopper Capacity

15kg of cooked rice

## Features

- Simple design by easy assembling/disassembling mechanism for cleaning parts without tools.
- 8 kinds of mode can be preset on touch panel.
- Various error message function with guidance of the abnormal position for troubleshooting action.

\*Please follow the instruction in the operation manual when handling the machine. \*Designs and specifications are subject to change without notice.

### Suzumo Machinery Co., Ltd. Overseas Business Division

2-23-2, Toyotamakita, Nerima-ku, Tokyo 176-0012, Japan  
 Tel. +81 3-3993-1407 Fax. +81 3-3993-1756  
 e-mail overseas@suzumo.co.jp URL http://www.suzumokikou.com

< Contact in North America >

### Suzumo International Corporation

Head Office : 1815 W. 205th Street, Suite 101 Torrance, CA 90501 U.S.A.  
 Tel. +1 310-328-0400 Fax. +1 310-328-2700 e-mail sic@suzumokikou.com

East Office : 560 Sylvan Avenue, Suite 2020 Englewood Cliffs, NJ 07632 U.S.A.  
 Tel. +1 201-568-1900 e-mail sic@suzumokikou.com

< Contact in Singapore >

### Suzumo Singapore Corporation Pte. Ltd.

421 Tagore Industrial Avenue #04-11 Tagore 8, Singapore 787805  
 Tel. +65 6254-2080 Fax. +65 6254 2086 e-mail sales@suzumo-sg.com

# RICE WEIGHING & SERVING MACHINE

## ESK-BLC

**Gently serves rice including rice that has already cooled down.  
Accuracy of weighing is  $\pm 2\%$  from the setting weight.**



- Indication & operational performance has been improved by installing a bigger color control touchpanel.
- Designed as easy to operate, hygienic and calm appearance by integration of the lifter and minituarization.

**Maximum  
production  
serving up to  
2,000 dishes  
(80g - 250g)  
/hour**



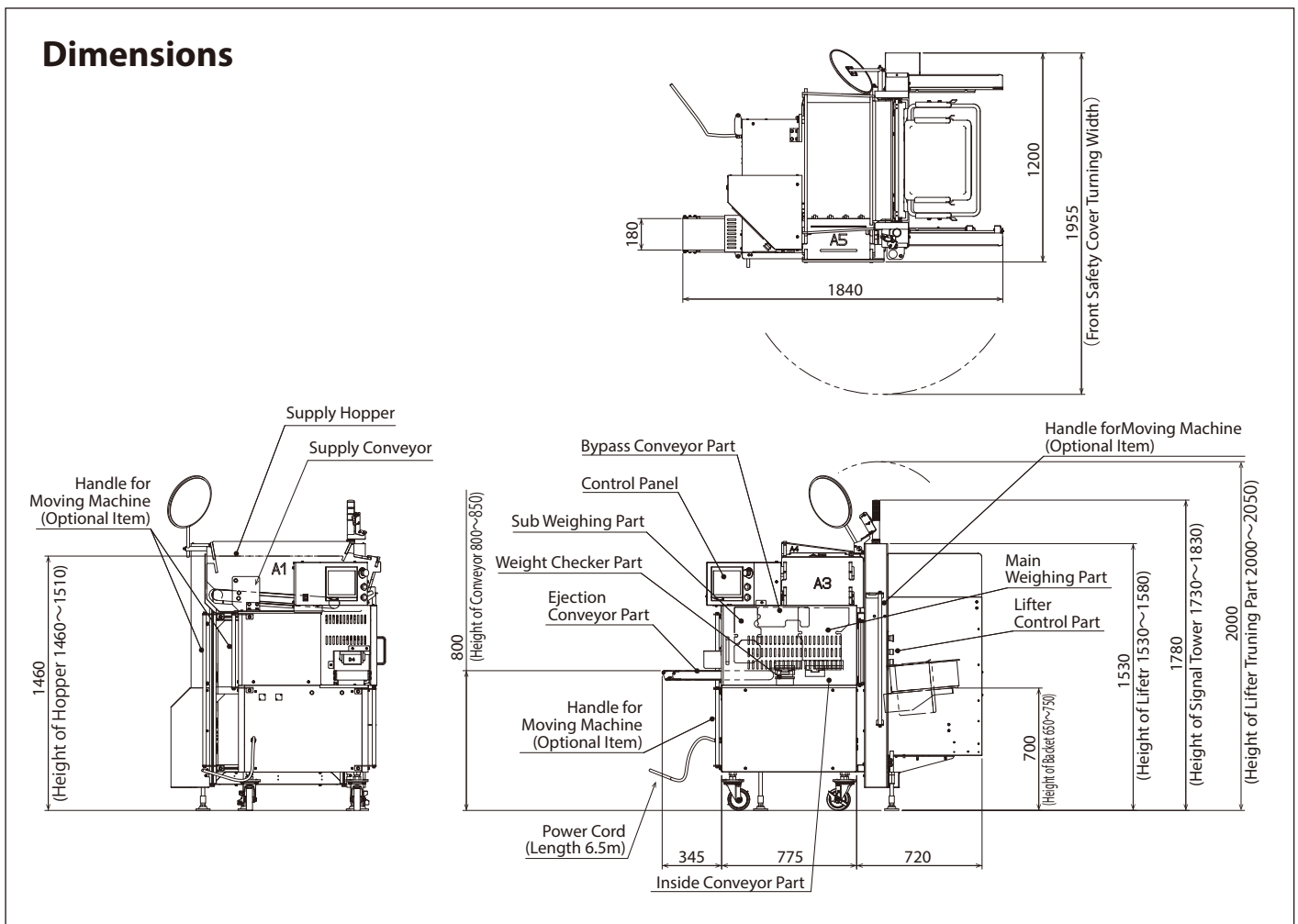
### **Rice to be more fluffy looks like served by hand.**

Beautiful Bento rice to be produced by adding perfect loosening rice technology.

### **Accuracy of weighing.**

Mounted weighing unit enables to adjust rice weight accurately from the setting weight. In order to weight rice accurately, this machine divides rice supply procedure into 2 times (1st time supply filling 80-90% and 2nd time supply filling up remaining 10-20%)

## Dimensions



## Specifications

<b>Model</b>	ESK-BLC
<b>Capacity</b>	* 2,000 dishes per hour (Max.) under 80-250g setting * 1,800 dishes per hour (Max.) under 251-320g setting
<b>Machine Dimensions</b>	1,840W x 1,200D x 2,000H mm * In case lifter turning : 2,050H mm
<b>Power</b>	3-phase, 50/60Hz
<b>Power Consumption</b>	730W
<b>Hopper Capacity</b>	15kg of cooked rice
<b>Optional Item</b>	Handle for Moving Machine Bale Shape Forming Machine (BTR-MLC)
<b>Weight</b>	500kg

## Features

- As the mounting height of washer parts are adjusted as lower at 1500mm, the handleability of machine is improved for operators.
- The washable parts are colored in blue for the measure of prevent contamination by foreign materials.
- The assembling/diassembling parts are designed as simple by designing only one place knob bolt.
- The durability of parts are improved by reviewing parts as made of resin from made of teflon coating, which makes the parts running cost cheaper.
- Safety cover is included for safety operation. All the covers are designed as one touch open/close by adding handle for the maintenance work to be easier.

\*Please follow the instruction in the operation manual when handling the machine. \*Designs and specifications are subject to change without notice.

### Suzumo Machinery Co., Ltd. Global Business Division

2-23-2, Toyotamakita, Nerima-ku, Tokyo 176-0012, Japan  
Tel. +81 3-3993-1407 Fax. +81 3-3993-1756  
e-mail overseas@suzumo.co.jp URL <http://www.suzumokikou.com>

< Contact in North America >

### Suzumo International Corporation

**Head Office** : 1815 W. 205th Street, Suite 101 Torrance, CA 90501 U.S.A.  
Tel. +1 310-328-0400 Fax. +1 310-328-2700 e-mail sic@suzumokikou.com

**East Office** : 375 North Street, Unit K, Teterboro, NJ 07608 U.S.A.  
Tel. +1 201-568-1900 e-mail sic@suzumokikou.com

< Contact in Singapore >

### Suzumo Singapore Corporation Pte. Ltd.

421 Tagore Industrial Avenue #04-11 Tagore 8, Singapore 787805  
Tel. +65 6254-2080 Fax. +65 6254 2086 e-mail sales@suzumo-sg.com